

Contact expansion ESM-ES..

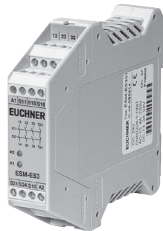


- ▶ Usage up to category 4 according to EN ISO 13849-1
- ▶ LED status indicators
- ▶ Control using safety relays
- ▶ 3 redundant safety contacts
- ▶ 1 door auxiliary contact
- ▶ Earth fault/ground fault monitoring can be selected

Contact expansion ESM-ES..



Cat. 4 STOP 0



Relay outputs

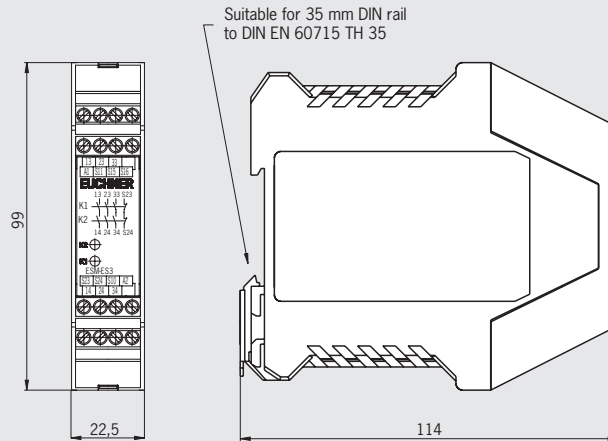
The outputs are electrically decoupled and of redundant design.

Connection option

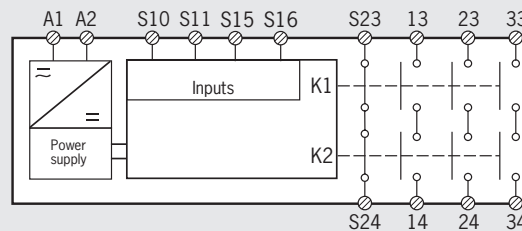
By using suitable wiring the following function can be selected:

- ▶ Earth fault/ground fault monitoring to detect short circuits between the connection cables and earth or ground and to shut down the outputs or prevent relay starting if necessary.

Dimension drawing



Block diagram



Technical data outputs

Parameter	Value			
Min. switching current at DC 24 V	5 mA			
Switching voltage max.	DC 50 V / AC 250 V			
Utilization category * According to EN 60947-5-1	U_e	I_e	Σ I_e	
	AC-12	250 V		6 A
	AC-15	230 V		4 A
	DC-12	24 V		1.25 A
	DC-13	24 V	2 A	10.5 A

U_e = switching voltage

I_e = max. switching current per contact

Σ I_e = max. switching current on all safety contacts (cumulative current)

* See page 26 for information about the utilization category

Ordering table

Series	Version	Outputs	AC/DC 24 V	AC 115 V	AC 230 V
ESM	ES Contact expansion	3 3 NO + 1 NC	085614 ESM-ES301	085615 ESM-ES302	085616 ESM-ES303